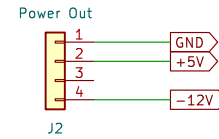
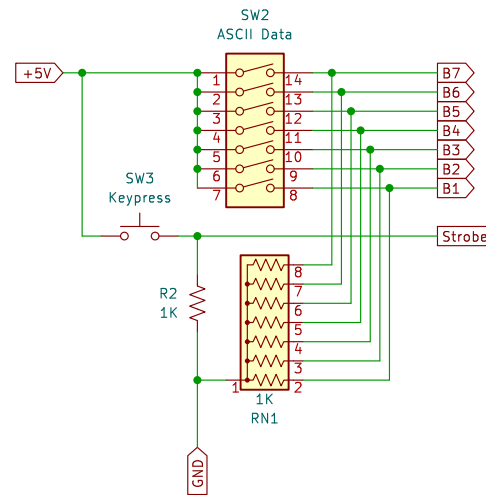


The main connector (J1) is facing down (solder side) and can be inserted into the Apple][keyboard socket at position A7. It can be inserted in the Apple][DIP-16 connector of the ASCII Keyboard Tester (without the mounted One Byte Hex Display) or Character Generator Tester as well.



J2 can be used for powering the ASCII Keyboard Tester or Character Generator Tester.



Set a 7-bit ASCII code using the DIP switches (SW2) and confirm by pressing Keypress (SW3). When attached to a computer, it could be that the character is put on screen more than once. The push button (SW3) is not debounced because of the educational purpose of the Poor Man's Keyboard and to keep the circuit simple.

This work is licensed under Attribution-NonCommercial-ShareAlike 4.0 International. To view a copy of this license, visit <http://creativecommons.org/licenses/by-nc-sa/4.0/>

8BitFlux.com / Bobby Nijssen

Sheet: /
File: Apple-2PoorMansKeyboard.kicad_sch

Title: Apple][Poor Man's Keyboard

Size: A4 Date: 2024-02-27

KiCad E.D.A. kicad 7.0.5-0

Rev: 1

Id: 1/1